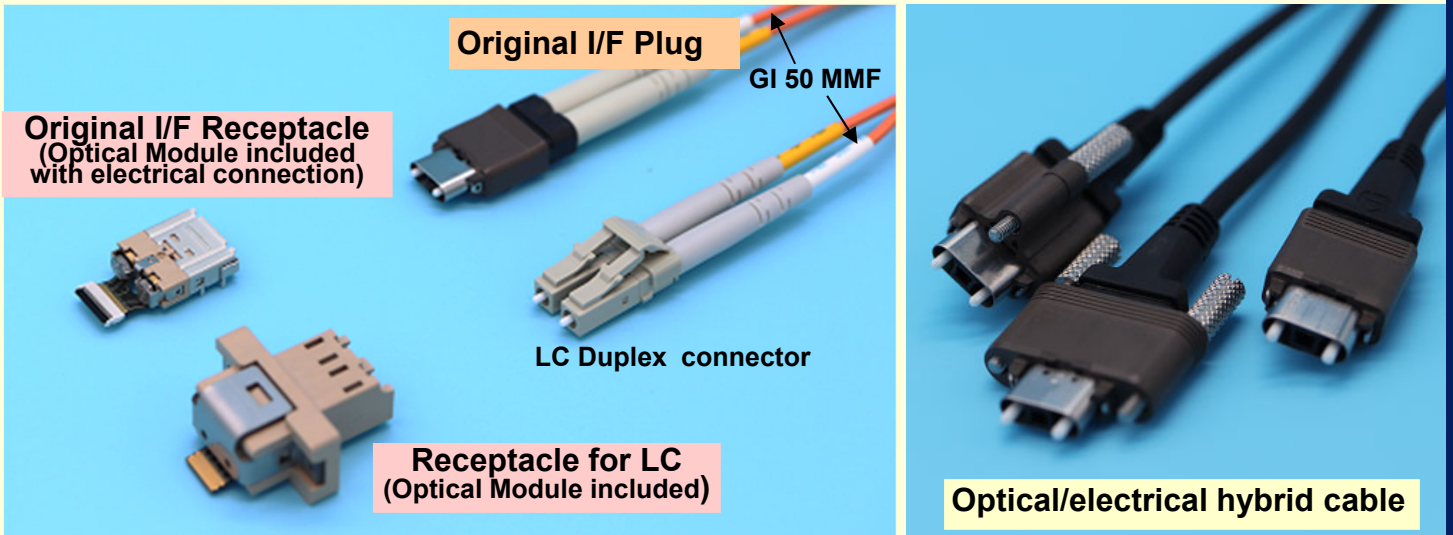


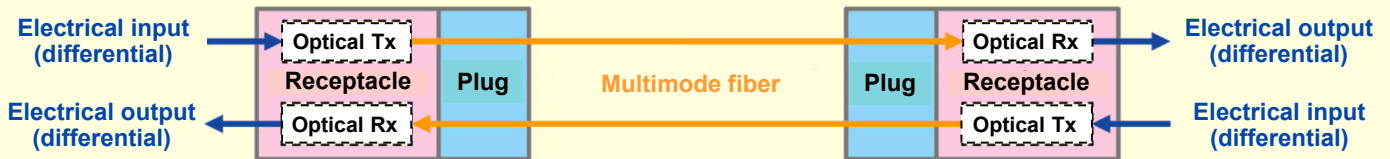
Space-Saving Optical Connection System

receptacle for 10G+ transmission

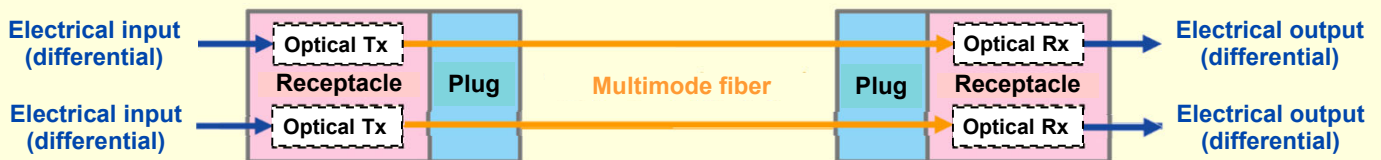


Block diagram

a) 12.5 Gbps bi-directional transmission



b) 25 Gbps uni-directional transmission



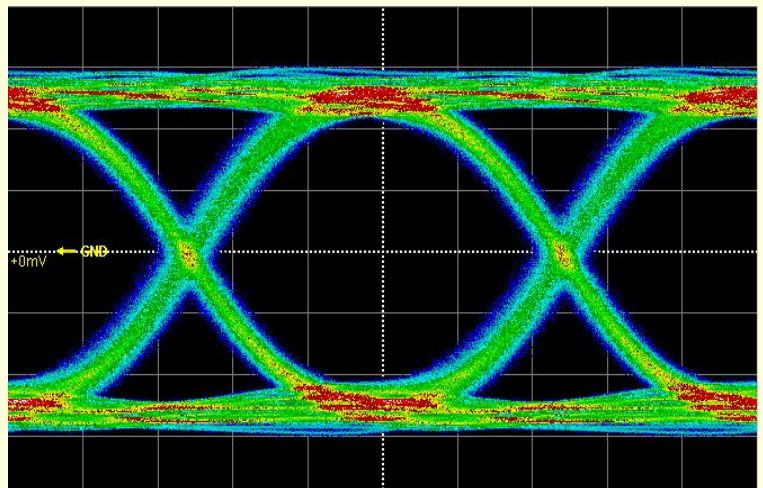
Optical Tx: Laser Diode (LD) & LD Driver Optical Rx: Photodiode & Transimpedance/Limiting Amplifier

Optical module Specification

- ◎ Operation temp.: -40~75°C
- ◎ Power Voltage: +3.3±0.15V
- ◎ Optical characteristic
 - ◆ Data rate: 50Mbps-12.5Gbps (STM-64, OC-192, 10GbE applied)
 - ◆ Electrical I/F: Deferential CML (Current Mode Logic), 0.2~0.5Vpp
 - ◆ Power: ~0.15W (DC 3.3V)



Optical Module (Unit)

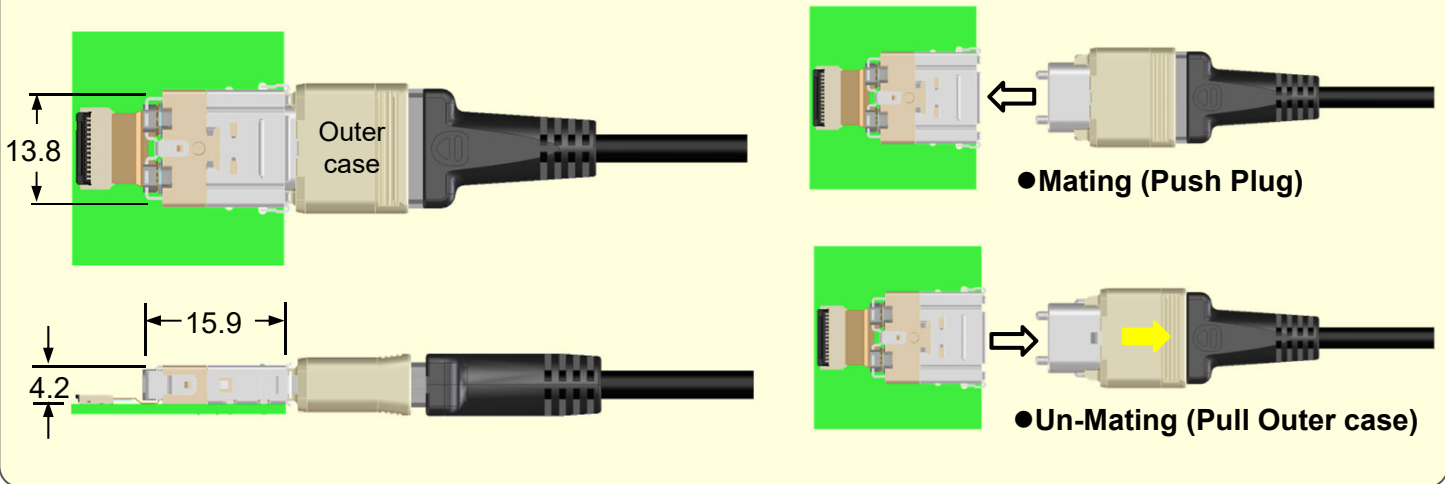


Eye Pattern 12.5Gbps-PRBS2³¹-1 50m distance

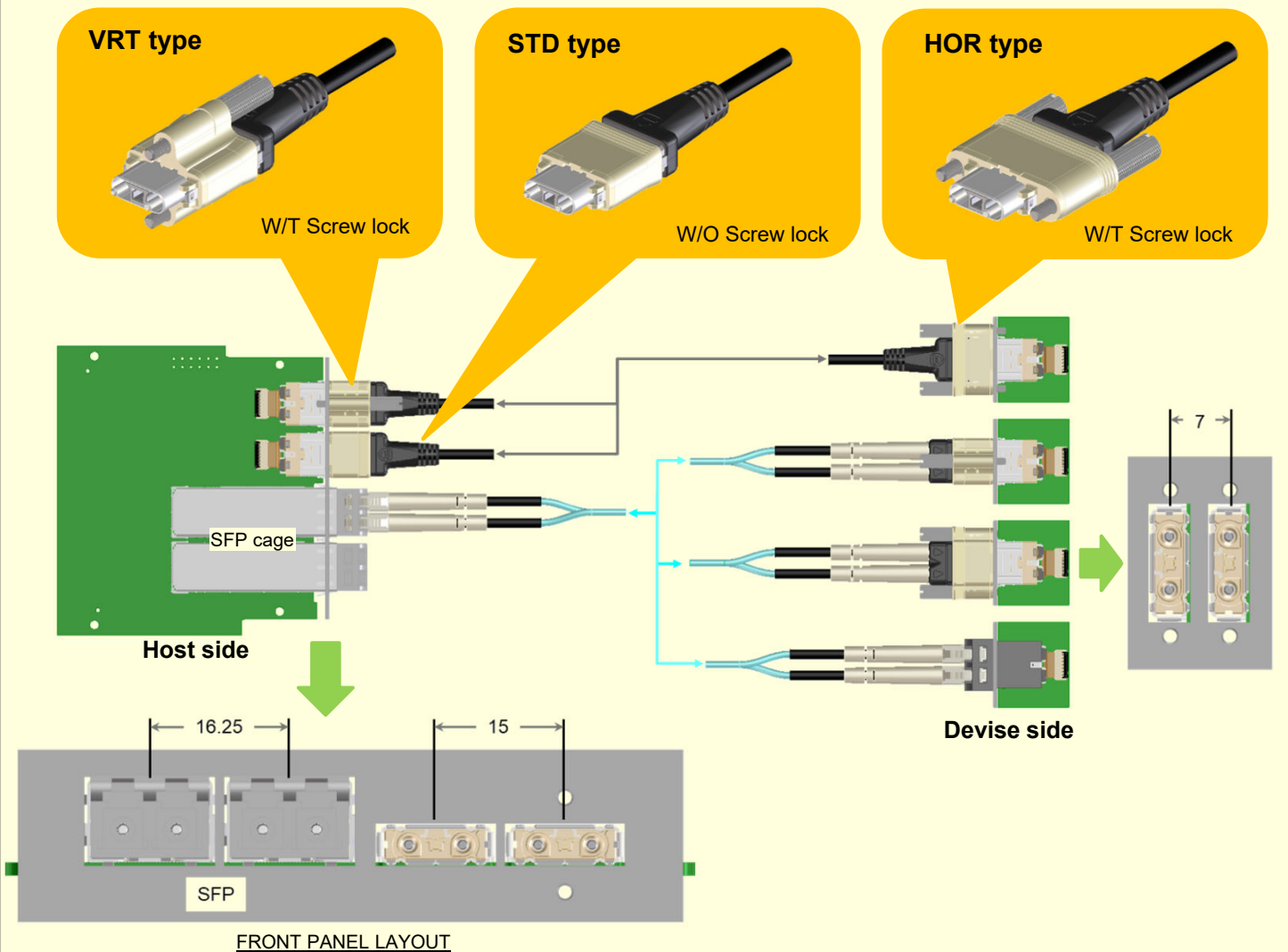
Space-Saving Optical Connection System

Original I/F over view & Application

➤ Original I/F Over view



➤ Application



[contact]

YOKOWO CO., LTD. Fine Connector Business Div.
E-mail : spc@jp.yokowo.com